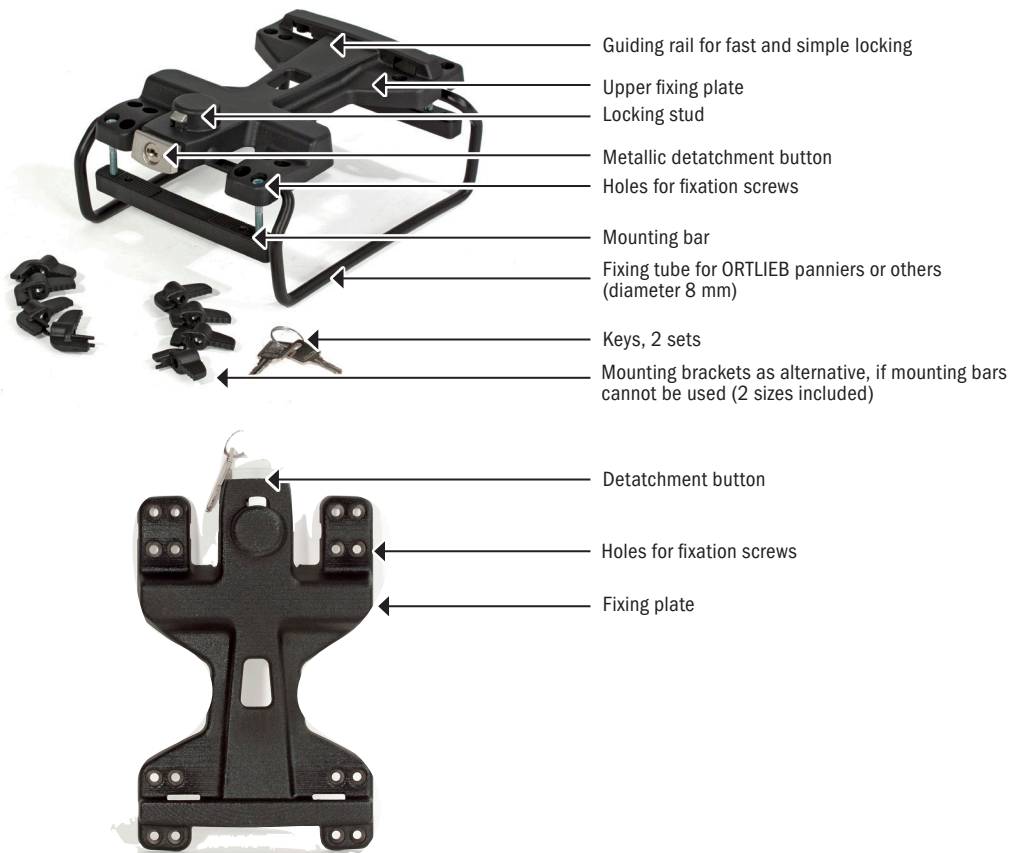


PRODUCT INFO

RACK ADAPTER

for Travel-Biker and Trunk-Bag (with ORTLIEB Adapter)

PVC
free



height cm/in.	width cm/in.	depth cm/in.	weight g/oz.
10/3.9	23/9	17/6.7	470/15

SPECIFICATIONS:

- + Rack adapter for mounting Trunk-Bag or Travel-Biker with ORTLIEB Adapter (06/2004 - 2015)
- + Lockable
- + For racks with a maximum width of 5.5 in. (140 mm)
- + Lateral mounting of bike panniers with QL1, QL2 or QL2.1 system possible
- + Easy fixing and safe locking (three fixing points)
- + „Click“ noise when fixing
- + Quick and easy detachment due to smooth metallic push-button

Contents: fixing plate, aluminum frame, mounting bar, hooks, fixing screws, key (2 sets)

Optional accessories: Mounting (185 mm) for Adapter for Travel-Biker and Trunk-Bag (E199)

Note: The adapter is not compatible for E-Bikes with battery mounted below rear rack.

