

## PRODUCT INFO

### SADDLE-BAG HIGH-VIS

Saddle-Bag with roll closure made of reflective fabric

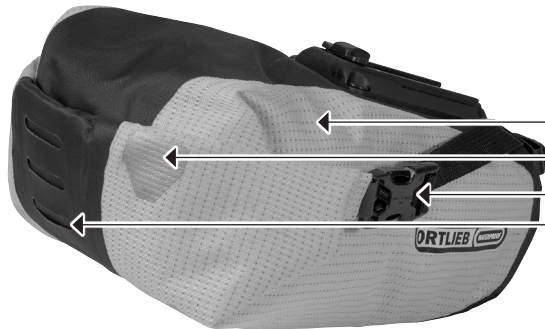
PVC free

IP 64

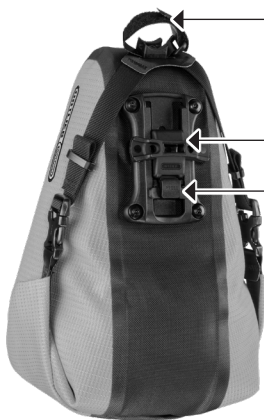
PS50CX

PS50X

PFAS free

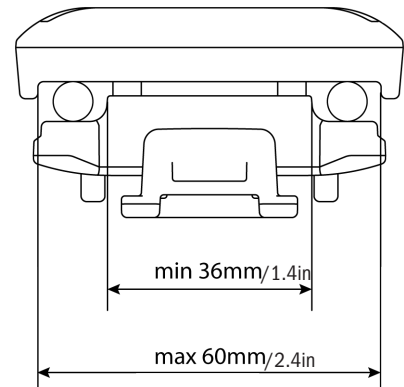


- Entire bag made of reflective fabric
- Highly reflective 3M Scotchlite reflector
- Roll closure with buckle and D-rings
- Daisy chain for mounting tail light (optional)



- Hook and loop fastener for additional fixing of the bag to seat post, prevents moving of the bag
- Saddle-Bag Mounting-Set inclusive
- Snap lock for attaching the bag to the saddle

Saddle-Bag Mounting-Set



height cm/in.	width cm/in.	depth cm/in.	vol. L/cu.in	weight g/oz.	max. capacity kg/lbs.
14/5.5	21/8.2	28/11	4,1/250	330/11.6	2/4.4

### SPECIFICATIONS:

- + Waterproof Saddle-Bag for mountain, road or touring bikes
- + PVC-free reflective fabric
- + Increased visibility when hit by headlights due to highly visible reflective fabric
- + Provides enough space for a jacket and the necessary small items
- + Roll closure is fixed to the sides with buckles
- + No protruding plastic components on inside
- + Compression straps
- + Daisychain for tail light (not included)
- + Highly effective Scotchlite reflector ensures safety in the dark
- + On bikes without mudguards the bag shields the rider from splash - to a certain extent
- + Including adjustable snap lock for mounting underneath the saddle
- + Snap lock for quick and easy mounting and removal
- + Hook and loop fastener suitable for seat posts up to 34,9 mm (e.g. foldable bike Birdy)
- + Maximum load 2 kg/4 lbs

**Contents:** Saddle-Bag High-Vis with mounting set

**Optional accessory:** Strap Set for Saddle-Bag for comfort saddles (No. E96E) Saddle-Bag Mounting Set (No. E97)

**Attention:** Not suitable for carbon saddles and for mounting on carbon seatposts

**Attention:** Not suitable for dropper seatposts

**Note:** In order to meet standard IP64 (6=dustproof, 4=protected against splash water coming from all directions) the roll closure must be rolled at least 3-4 times.

