

**VARIO 26L QL2.1**  
**VARIO 20L QL2.1**


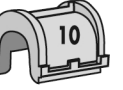

- DE MONTAGEANWEISUNG
- GB ASSEMBLY INSTRUCTIONS
- FR INSTRUCTIONS DE MONTAGE
- IT ISTRUZIONI DI MONTAGGIO
- NL MONTAGE HANDLEIDING
- DK MONTERINGSVEJLEDNING
- ES INSTRUCCIONES DE MONTAJE
- SE MONTERINGSANVISNING
- NO MONTERINGSANVISNING
- FI ASENNUSOHJEET
- PL INSTRUKCJA MONTAZU
- JP 装着方法



1 x **D**


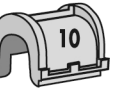

**26 L**



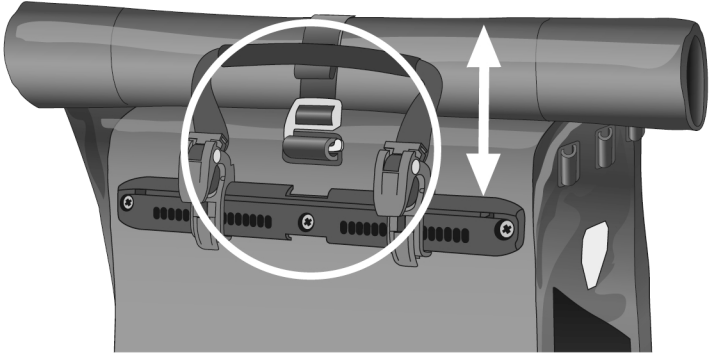
-  **8**
- 2 x **A**
-  **10**
- 2 x **B**
-  **12**
- 2 x **C**

**20 L**



-  **8**
- 2 x **A**
-  **10**
- 2 x **B**
-  **12**
- 2 x **C**

**FOR 26L/20L VERSION**



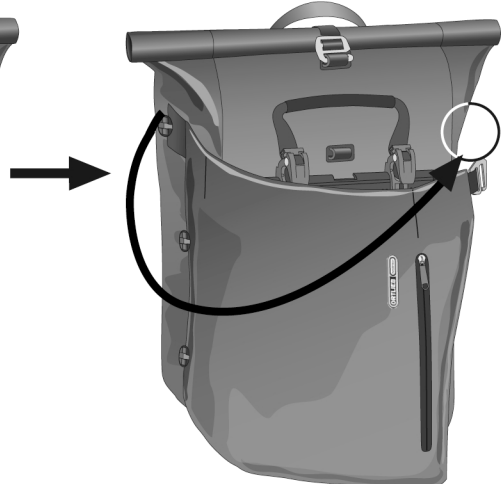
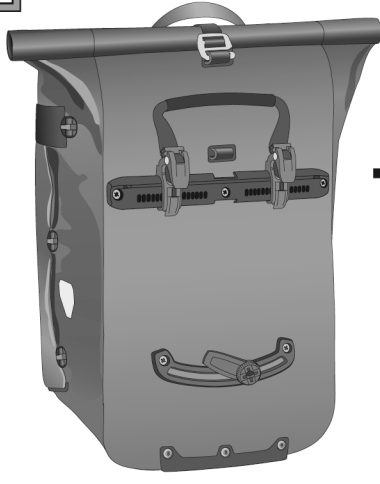
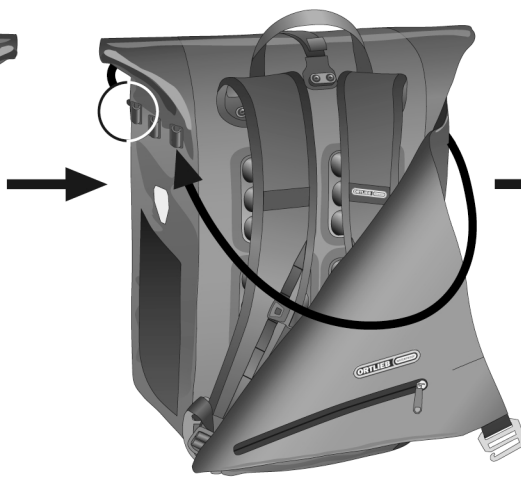
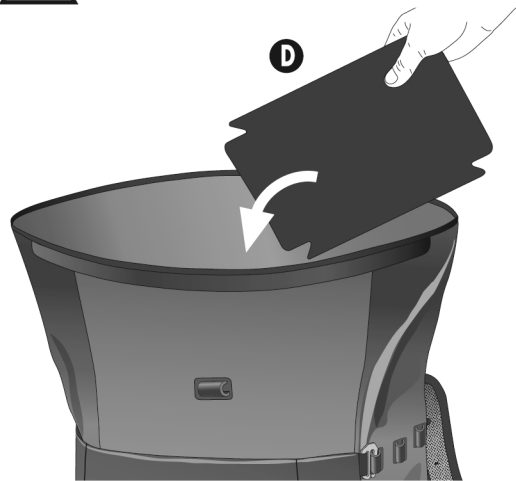
**Sicherheitshinweis:**

Bei wenig Beladung bitte den unteren Befestigungspunkt benutzen und fest abspannen.

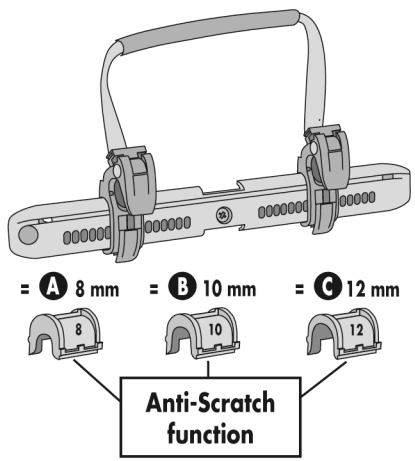
**Safety advice:**

With little load, please use the lower attachment point and brace tight.

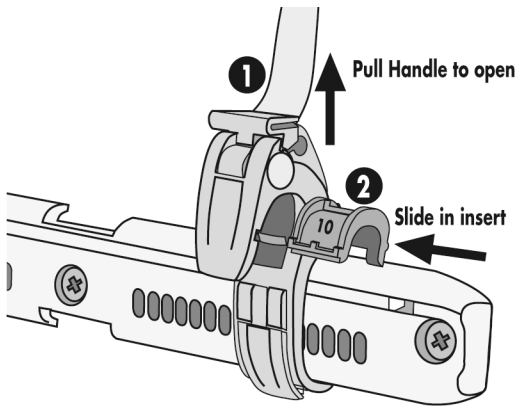
**ONLY FOR 26L VERSION**



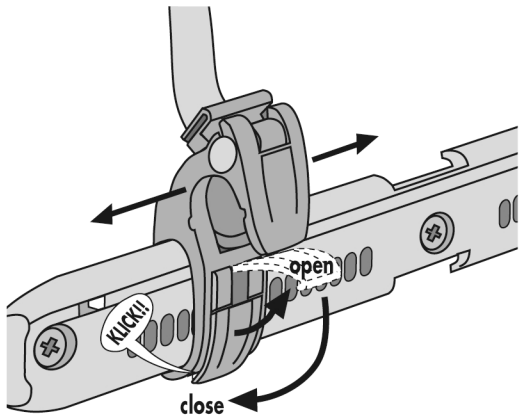
QL2.1



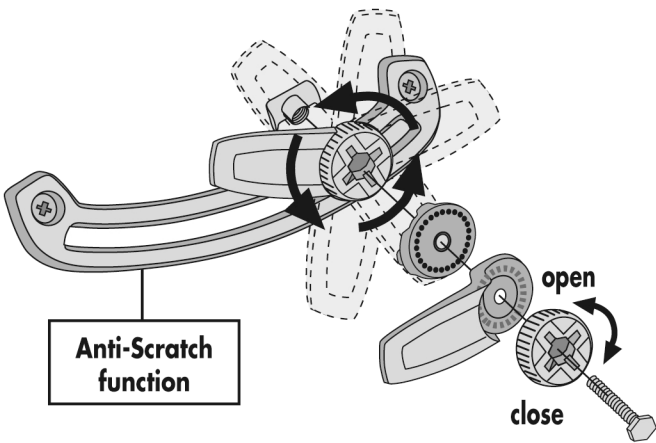
B



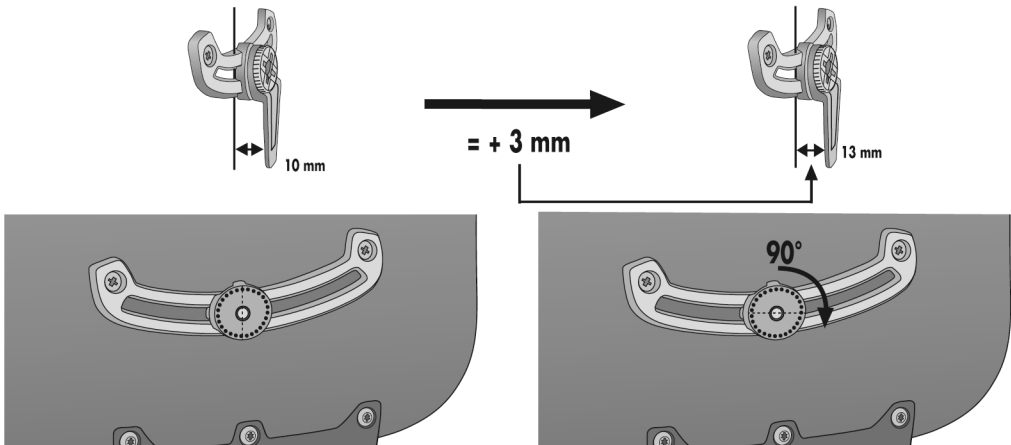
F



J



OPTION 1

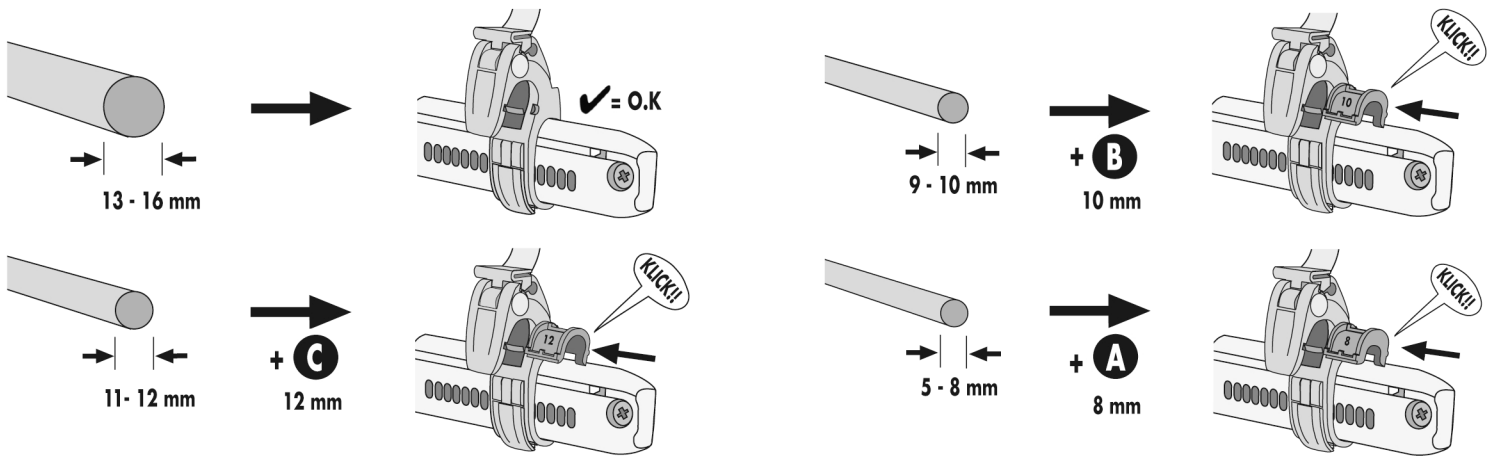


ACCESSORIES

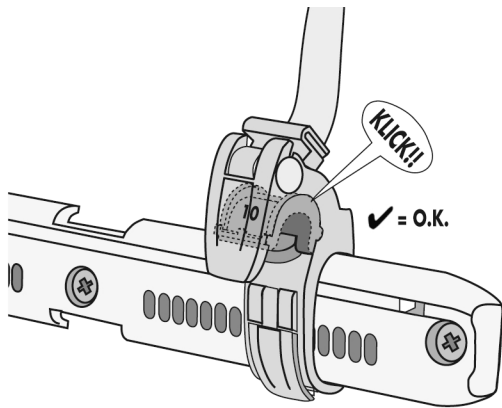
- = + # F78103 RACK THREE
- = + # F78104 QUICK RACK
- = + # F78105 QUICK RACK LIGHT



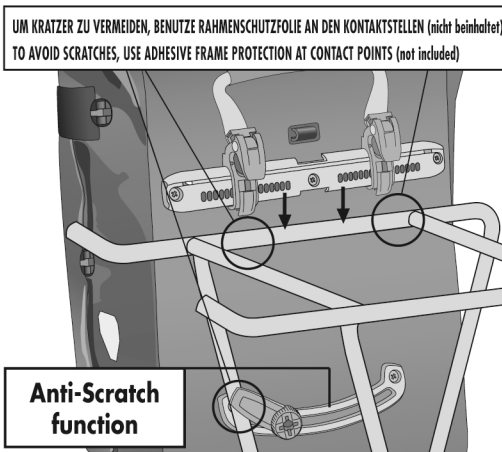
A



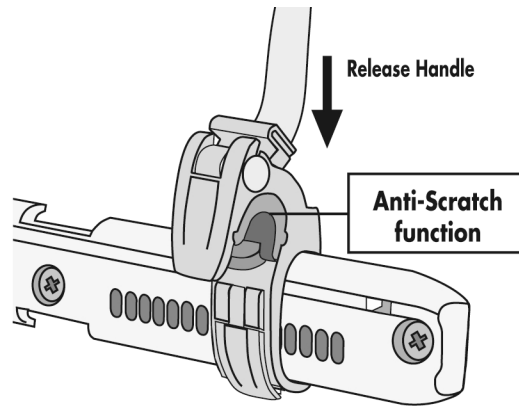
C



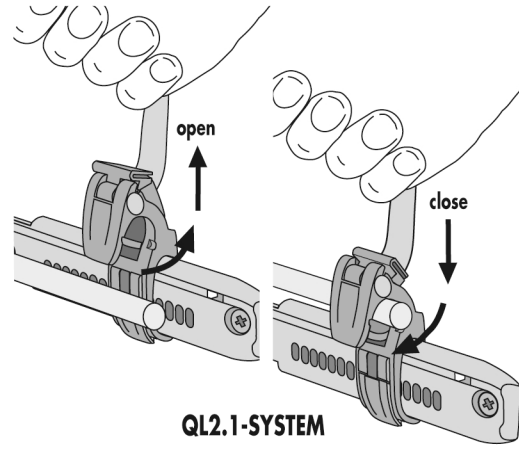
G



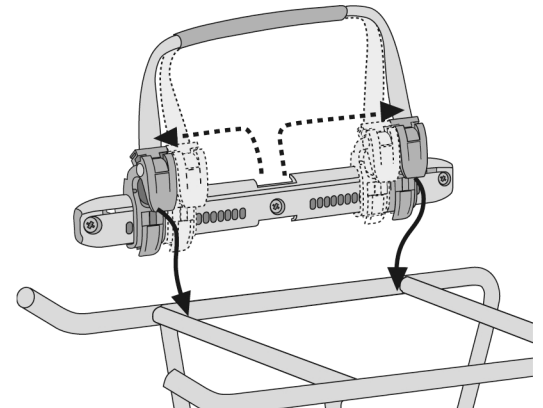
D



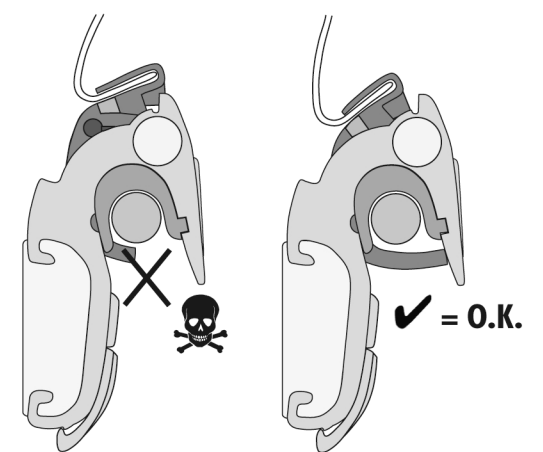
H



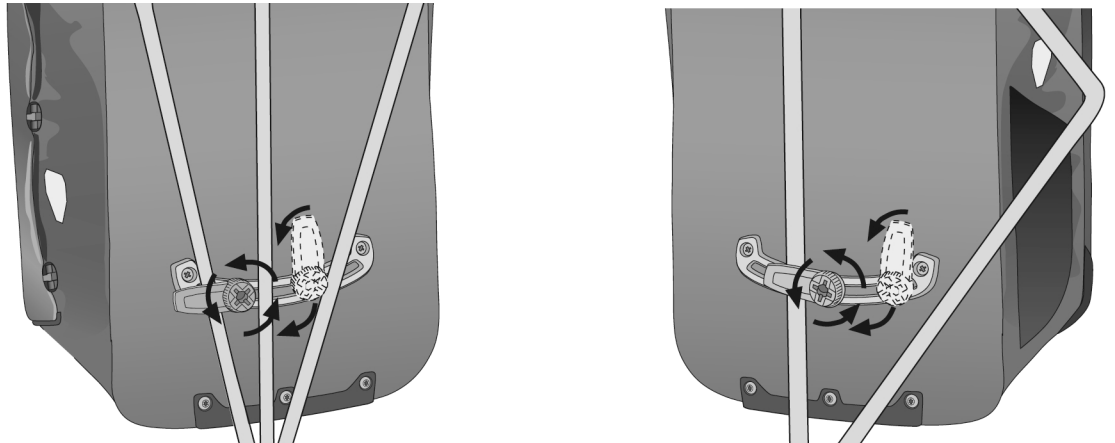
E



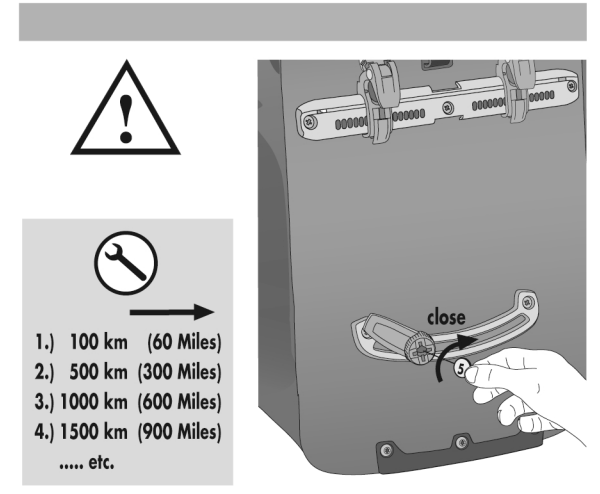
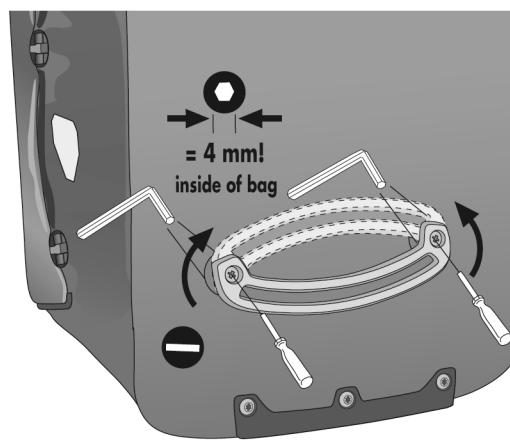
I



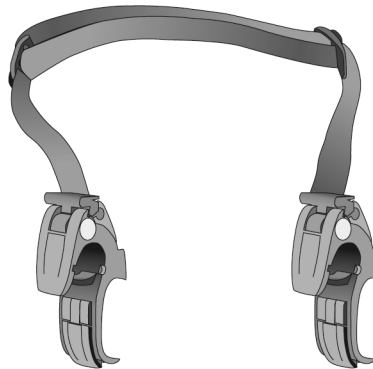
K



OPTION 2



= + # E211 QL2.1 MOUNTING HOOKS (18 mm) AND ADJUSTABLE HANDLE



= + # E193 QL2.1 MOUNTING HOOKS (20 mm) AND ADJUSTABLE HANDLE

